

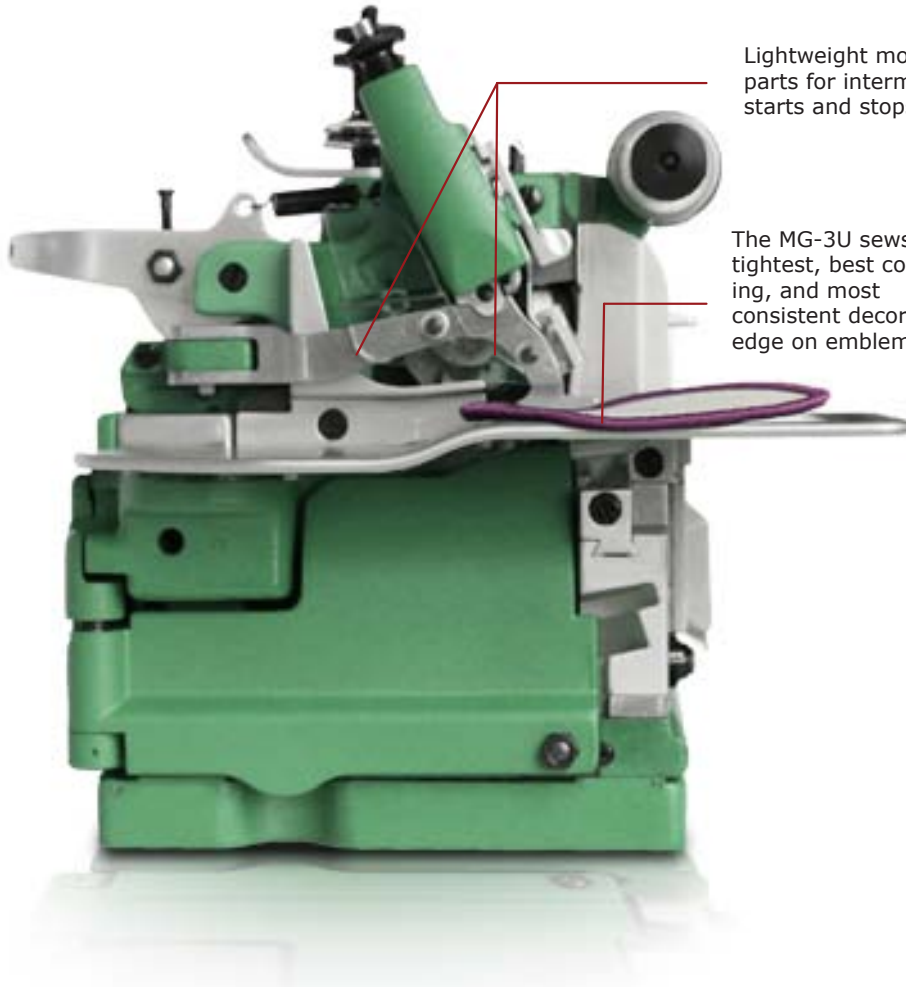
# MERROW®

SEWING MACHINE COMPANY



LEARN MORE  
ABOUT THE MG-3U

- EMBLEMS
- BADGING
- PATCHES
- INSIGNIAS



Lightweight moving parts for intermittent starts and stops

The MG-3U sews the tightest, best covering, and most consistent decorative edge on emblems.

## MERROW MG-3U SPECIFICATIONS

OPERATING SPEED:	5500 Rpm
STANDARD STITCH ECCENTRIC :	28 spi
STITCH ECCENTRIC RANGE :	20-40 spi
STANDARD NEEDLE :	3SDT
NEEDLE RANGE:	3SDT - 5SDT
STITCH TYPE	505
STITCH WIDTH :	3/16" (4.8mm)
NUMBER OF THREADS	3



## MG-3U

## INDUSTRIAL SEWING MACHINE FOR EMBLEM EDGING

### FEATURES

- Sews Tightest, Most Attractive Emblem Edge in the Sewing Industry
- Made in the USA
- 10 Year Warranty

### MODEL VARIATIONS

- MG-3U NARROW
- MG-3U WIDE
- MG-3U VELCRO
- MG-2U



WWW.MERROW.COM/MG3U

# MERROW